

# Solar Food Dryers

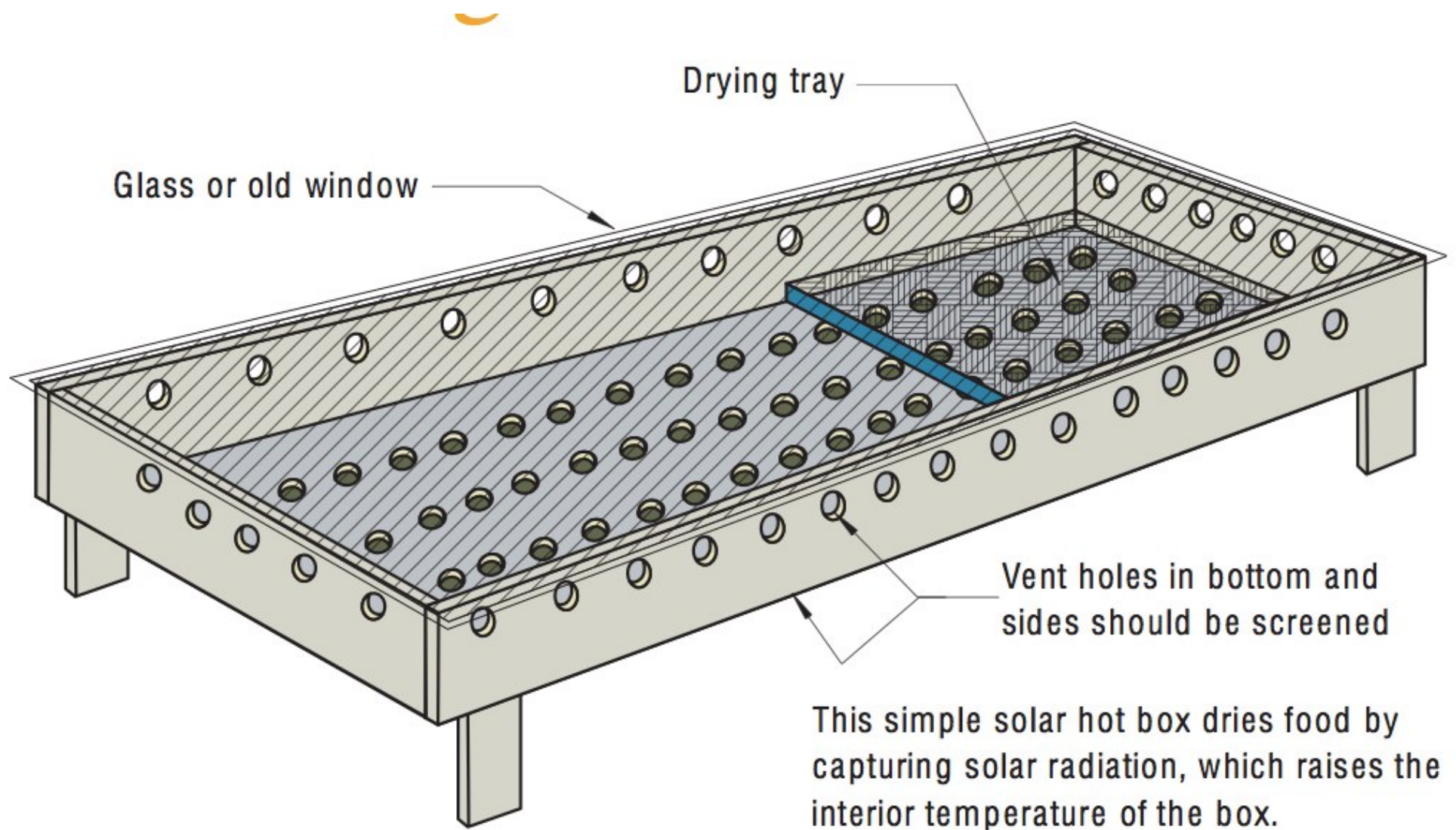
Traditional and Green Skills day

# GOOD DESIGNS

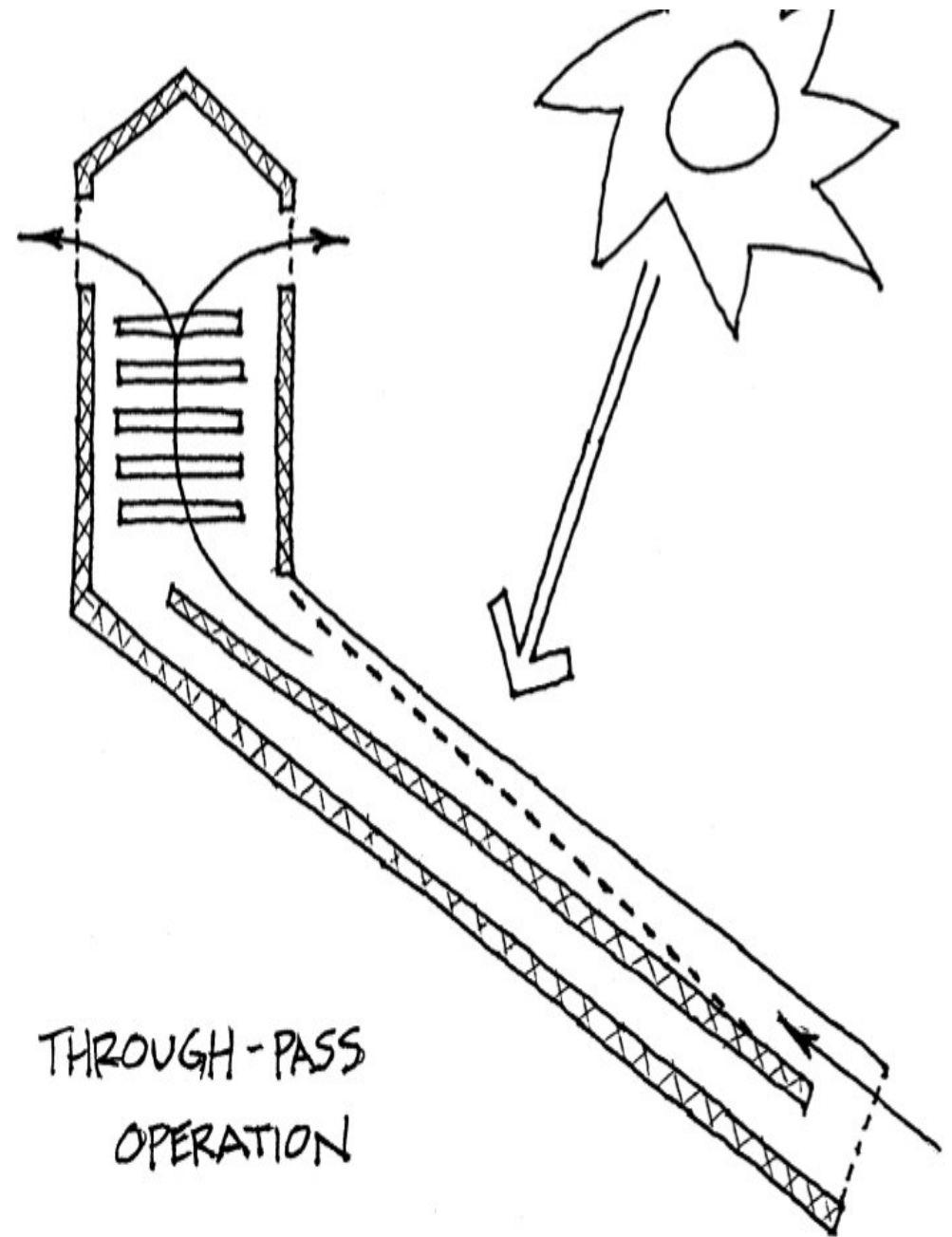
A solar food dehydrator can be made in many designs, ranging from the simple to the complex, and from small to large. For the home gardener, a good solar food dehydrator has these qualities:

- It dries food quickly — on par with a good electric food dryer.
- It has venting controls that allow for easy adjustment of drying temperature and airflow.
- It's easy to load, unload and clean.
- It's easy to set up and put away, with little or no assembly.
- It's relatively compact and lightweight for portability.
- It's weather-resistant and keeps your food dry in the event of rain.
- It has sturdy and durable construction for a long life of outdoor operation.
- It's pest-proof, and all vent openings are screened.
- The food trays are made from durable, nonstick and food-safe materials."

[http://www.solarfooddryer.com/Info/Mother\\_Earth\\_News\\_Article.pdf](http://www.solarfooddryer.com/Info/Mother_Earth_News_Article.pdf)



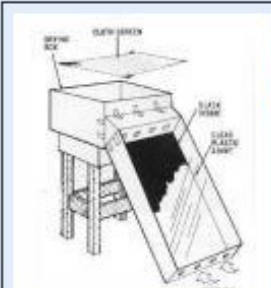
[http://www.solarfooddryer.com/Info/Mother\\_Earth\\_News\\_Article.pdf](http://www.solarfooddryer.com/Info/Mother_Earth_News_Article.pdf)



[http://homepower.com/view/?file=HP57\\_pg62\\_Scanlin](http://homepower.com/view/?file=HP57_pg62_Scanlin)



Test of solar crop dryer. Exten



"Made from dehydrator. preservation"

# Build It Solar web site

<http://www.builditsolar.com/Projects/Cooking/cooking.htm#Drying>



Dryer made from an old freezer on YouTube.  
<http://www.youtube.com/watch?v=5U1JgAkW-xY>



UW dryer on YouTube. Variable height mesh and temperature range suggestions.

<http://www.youtube.com/watch?v=tpkjin6LrZlc>



Community size dryer on YouTube

<http://www.youtube.com/watch?v=ilcMzaUgixU>

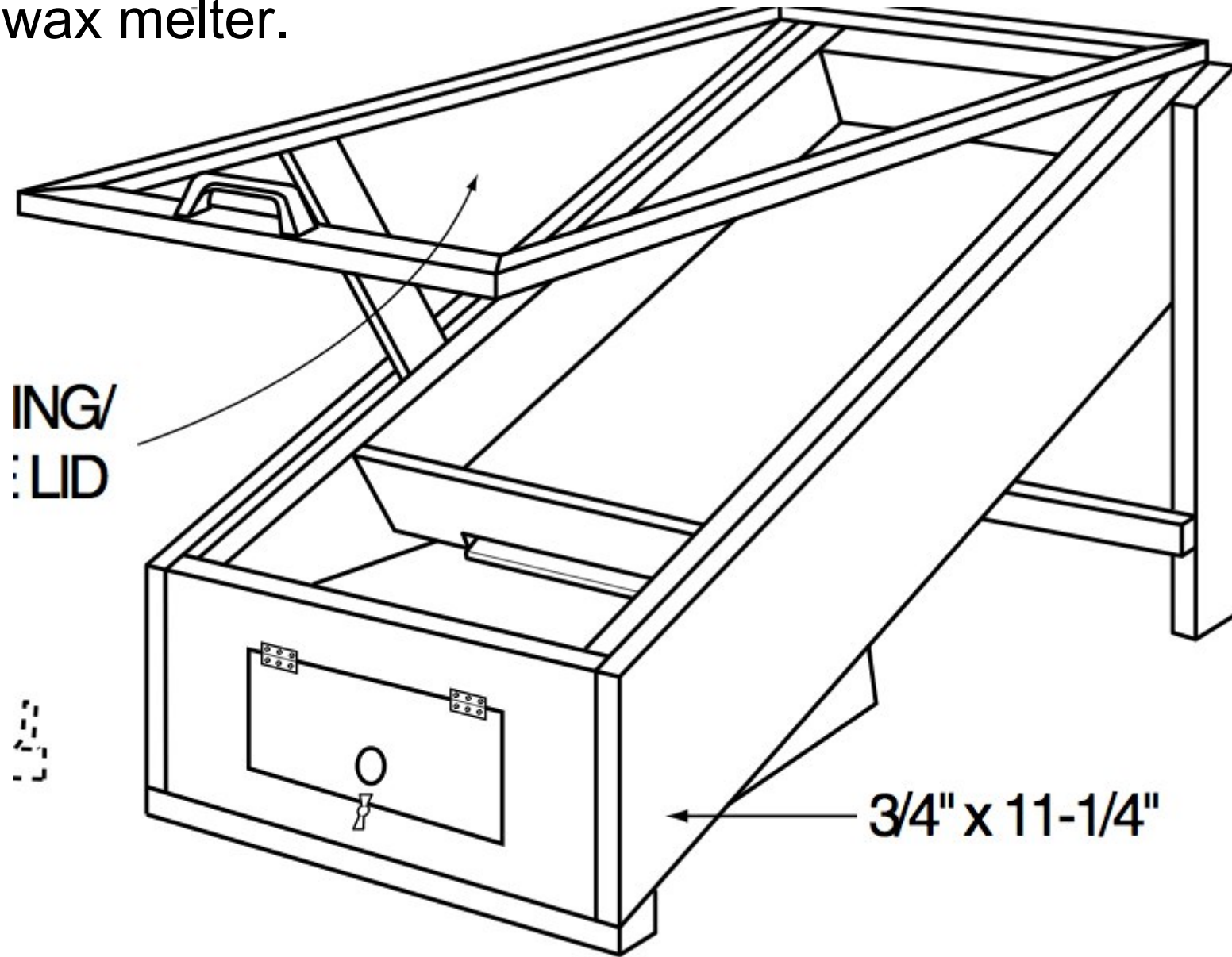




Cheap dryer from junk on YouTube.

<http://www.youtube.com/watch?v=HoKabhkBfTM>

Other uses where low temperature solar works well like this beeswax melter.



<http://www.beesource.com/files/solmeltr.pdf>

Solar wood kiln for drying lumber. Lots of designs with lots of testing data available.



[http://www.woodscience.vt.edu/about/extension/vtsolar\\_kiln/](http://www.woodscience.vt.edu/about/extension/vtsolar_kiln/)



## A solar heated stock tank

<http://www.builditsolar.com/Projects/WaterHeating/SolarHorseTank/SolarHorseTank.htm>